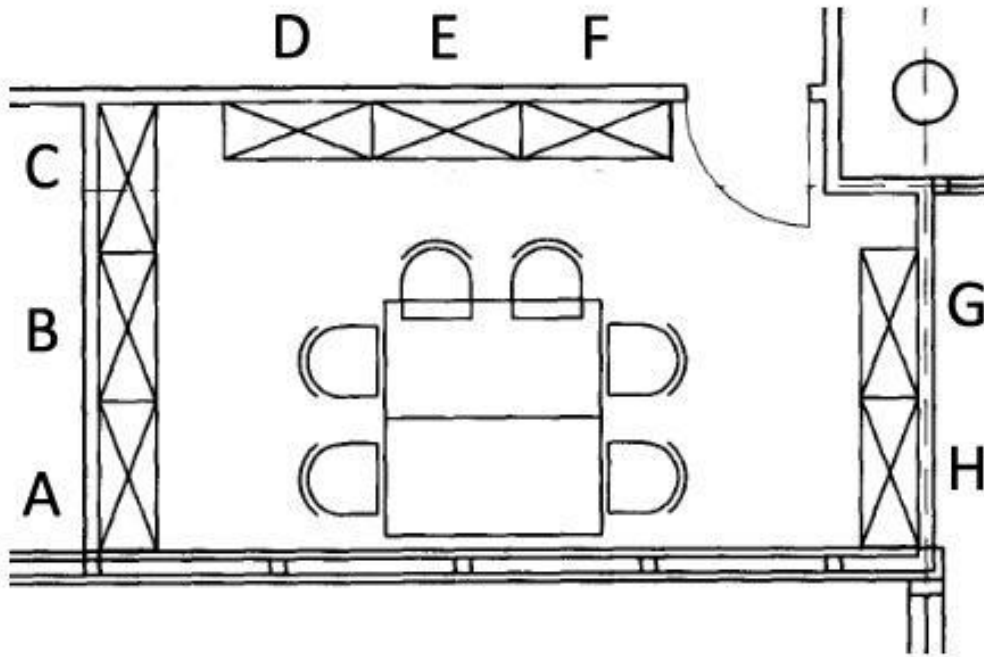


English Department Library



<u>Shelf</u>	<u>Category</u>	<u>Call number</u>
A	LITERATURE OF THE BRITISH ISLES	820
	8-11 th century	"7/10"
	12-15 th century	"11/14"
	16 th century	"15"
	17 th century	"16"
	18 th century	"17"
B	19 th century	"18"
	Anthologies / Criticism (19 th century)	(08)(09)
	20 th century	"19"
C	20 th century	"19"
	Introduction (20 th century)	(03)
	Anthologies / Criticism (20 th century)	(08)(09)
	General introduction	820 (03)
D	General anthologies	(08)
	General criticism	(09)

LITERATURE OF THE U.S.A18th century19th centuryIntroduction/anthologies/criticism (19th century)**820 (73)**

"17"

"18"

(03)(08)(09)

E20th centuryIntroduction/anthologies/criticism (20th century)

General introduction/anthologies/criticism

"19"

(03)(08)(09)

820(03)(08)(09)**WORLD LITERATURE IN ENGLISH****820.13****F****OTHER LITERATURES**

German / French / Spanish

Classic Latin, Greek / Slavic

830 / 840 / 860 /

870 / 882

LITERARY THEORY**820.09-95****GENERAL LITERATURES**

General Introduction/ Anthologies / Criticism

800.3 / 800.8 / 800.9

LINGUISTICS

History of Language, Historical Linguistics

General Linguistics

Psycholinguistics, Neurolinguistics, Language Acquisition

Sociolinguistics, Historical sociolinguistics

Applied Linguistics, Second Language Acquisition

(Bi-/Multilingualism)

Phonetics & Phonology

Grammar (general)

Pragmatics / Semantics /

Linguistics & Literature & Translation

800 (091)

801

801:159.9

801:3

801:37

801.4

801.5

801.53 / 801.54 /

801:82

OTHER DISCIPLINES

Philosophy / Religion / Pedagogy

Art History / Music / Cinema / Classical Studies

History

1 / 23 / 37

7/ 78 / 790 / 807

9

G**PERIODICALS****PER****DICTIONARIES & LANGUAGE MANUALS**

Style Manuals

Composition Manuals

English Lexica / French lexica

Grammar Manuals

Bilingual Dictionaries

English Dictionaries

French Dictionaries

802

802.0 (02)

804.0

802.5

413

423

443

H

ENCYCLOPEDIAS & REFERENCE WORKS

32

TUTOR'S MATERIAL

NON-PRINT MEDIA

MUSE

RETURN BOOKS